

Please note that the data given here has been taken from the online catalog. For comprehensive information and data, please refer to the user documentation at <http://www.download.phoenixcontact.com>. The General Terms and Conditions of Use apply to Internet downloads.

## ► Extract from the online catalog



Bus system flush-type socket, ETHERNET, 4-pos., M12, shielded, D-coded, front/screw mounting with M16 thread, can be positioned, with 1 m bus cable, 2 x 2 x 0.14 mm<sup>2</sup>

Order No.	1528497
Ord designation	SACCEC-M12FSD-4CON-M16/1,0-931
EAN	4046356023429
Pack	1 Pcs.
Customs tariff	85369010
Weight/Piece	0.0784 KG
Catalog page information	Page 182 (PC-2007)

## ► Technical data

### General data

Nominal current $I_N$	4 A
Nominal voltage $U_N$	60 V
Number of positions	4
Volume resistance	$\leq 3 \text{ m}\Omega$
Ambient temperature (operation)	-25 °C ... 90 °C (plug/socket)
Ambient temperature (operation)	-20 °C ... 60 °C (cable, fixed installation)
Ambient temperature (operation)	0 °C ... 50 °C (cable, flexible installation)

### General characteristics

Keying	D - data
--------	----------

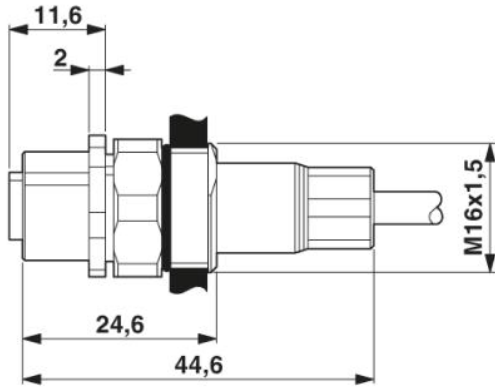
---

Fixed cable length	1 m
Cable type	Ethernet
Inflammability class acc. to UL 94	V0
Surge voltage category	II
Contamination class	3
Degree of protection	IP67
Material of contact	CuZn
Material of contact surface	Ni/Au
Contact carrier material	PA 66
Material, knurls	Nickel-plated brass
Single wire, color	White-green, white-orange
Conductor cross section	0.14 mm <sup>2</sup>
Volume resistance	≤ 3 mΩ
Insulation resistance	≥ 100 MΩ
Test voltage	2500 V



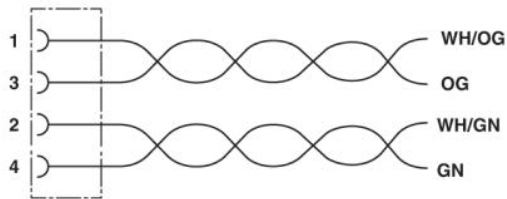
## ▸ Drawings

### Dimensioned drawing



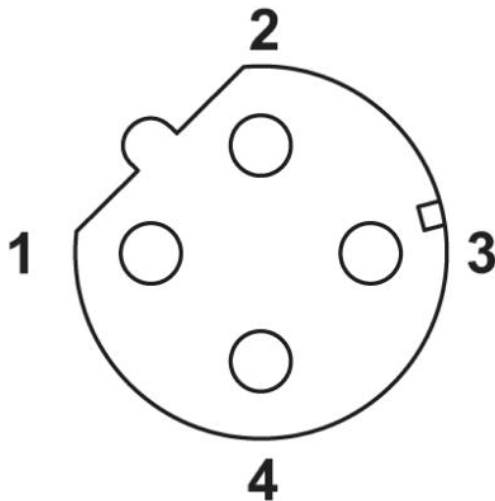
M12 flush-type connector

### Circuit diagram



Contact assignment of the M12 socket

### Schematic diagram



Pin assignment M12 female connector, 4-pos.,  
D-coded, female side

### Logo

---

# Ethernet



---

## ► Address

---

PHOENIX CONTACT GmbH & Co. KG  
Flachsmarktstr. 8  
32825 Blomberg  
Germany  
Phone +49 5235 3 00  
Fax +49 5235 3 41200  
<http://www.phoenixcontact.de>  
Phoenix Contact  
Technical modifications reserved;